

# RAMSES 366/1 top2

Item no.: 3660100

**theben**

Climate control  
Clock thermostats

## Description

- Digital clock thermostat with a low profile design for time-dependent monitoring and control of room temperature
- Zone control, 1 zone
- 1 external temperature sensor required
- Daily/weekly program can be set to the minute
- Date-controlled holiday program
- Programming displayed graphically by a bar arrangement in the LCD
- Fully automatic summer/winter-time correction
- Manual switching pre-selection and operation mode selector for: Automatic mode, comfort mode, reduction mode, frost protection mode
- PIN coding
- DuoFix spring terminals
- Text-oriented user guidance in display
- Interface for OBELISK top2 memory card (Copying of programs)



Subject to technical changes and misprints

additional information at: [www.theben.de/product/3660100](http://www.theben.de/product/3660100)

The load data are determined with exemplary selected illuminants and are therefore typical data due to the large number of available products.

# RAMSES 366/1 top2

Item no.: 3660100

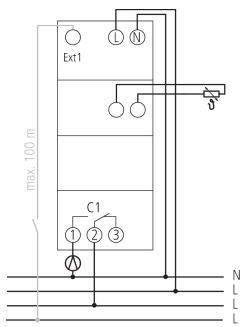
**theben**

## Technical data

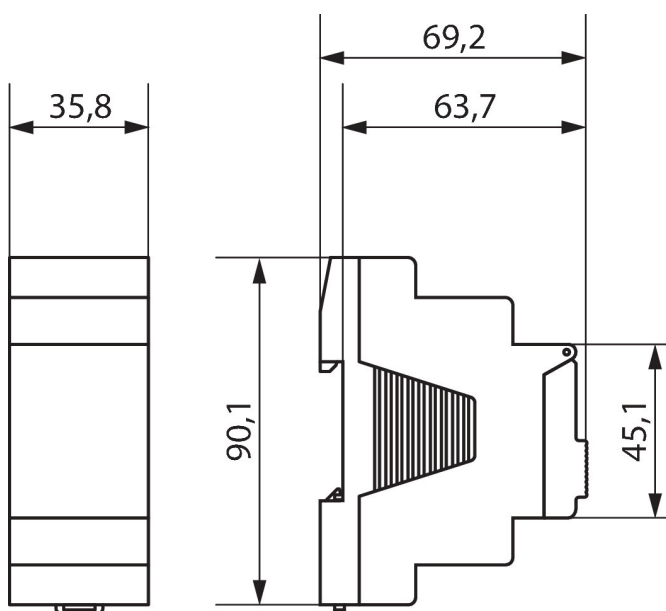
RAMSES 366/1 top2	
Operating voltage	230 V AC
Frequency	50 – 60 Hz
Type of connection	DuoFix spring terminals
Type of contact	Changeover contact
Switching capacity	10 A at 250 V AC, $\cos \varphi = 1$ , 2 A at 250 V AC, $\cos \varphi = 0.6$
Setting range temperature	6°C ... 30°C
Time basis	Quartz
Program	Weekly program, Daily program, Holiday program
Number of memory locations	42

RAMSES 366/1 top2	
External inputs	1
Time accuracy at 25 °C	$\leq \pm 0.25$ s/day (quartz)
Power reserve	10 years
Stand-by consumption	1.3 W
Installation type	DIN rail
Width	2 modules
Type of protection	IP 20
Protection class	II

## Connection example



## Scale drawings



Subject to technical changes and misprints

additional information at: [www.theben.de/product/3660100](http://www.theben.de/product/3660100)

The load data are determined with exemplary selected illuminants and are therefore typical data due to the large number of available products.

# RAMSES 366/1 top2

Item no.: 3660100

## Accessories

Wall mounting kit 35 mm

Item no.: 9070064



External temperature sensor 1

Item no.: 9070191



External temperature sensor 2

Item no.: 9070192



Memory card OBELISK top2

Item no.: 9070404



Front panel kit

Item no.: 9070001



Actuator ALPHA 5 230 V

Item no.: 9070441



Actuator ALPHA 5 24 V

Item no.: 9070442



Subject to technical changes and misprints

additional information at: [www.theben.de/product/3660100](http://www.theben.de/product/3660100)

The load data are determined with exemplary selected illuminants and are therefore typical data due to the large number of available products.

06/08/2022

Page 3 of 3